

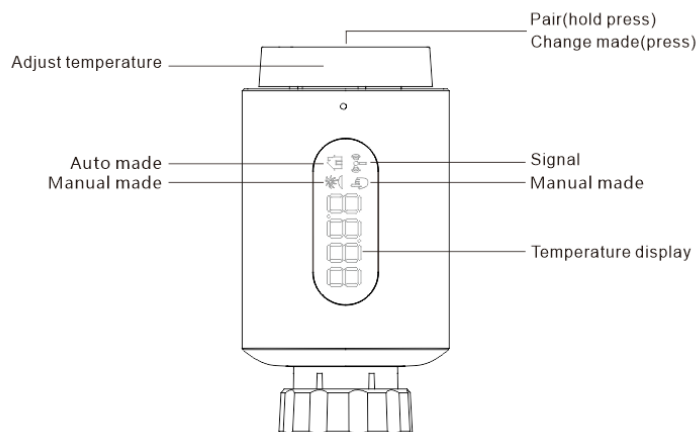


Thermostatic Radiator Valve TS10
Abbreviated User Manual - EN



Complete manual for the TS10 device – iget.eu

1. Device Overview

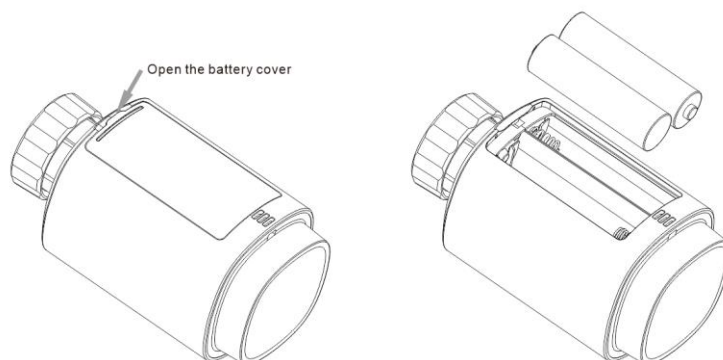


2. Start-up

2.1 Before we get started

- 2 x AA batteries are required for TRV to work, please get prepared.
- Temperature is shown in degrees Celsius.

2.2 Inserting(replacing) batteries



- Insert 2 new LR6(mignon/AA) batteries in the battery compartment, making sure they are the right way round.

The service life of new alkaline batteries is approximately 1,5 years. A battery symbol(bAt) on the display indicates that the batteries need to be replaced. After removing the empty batteries, wait approx. 1 minute before inserting the new ones. This device does not support operation with rechargeable batteries.

2.3 Run adaptive

The display of ' InS ' with the rotating ' In ' shows that the motor is still travelling back.

- When ' AdA ' is shown in the display, the radiator thermostat can be installed on the valve. After installation, press the pair button longer to run adaptive.
- The display of ' AdA ' with the rotating ' In ' shows that an adapting run to adapt the thermostat to the valve.

⚠ If the adapting runs is initiated before installation, press pair button and the motor travels back to the ' InS ' position. If an error message (F1, F2, F3) is displayed, press the Pair/Boost button and the motor similarly travels back to the ' InS ' position.

3. Installation of the radiator thermostat

The radiator thermostat is easy to install and can be done without draining heating water or intervening in the heating system. No special tools are required, nor does the heating have to be switched off.

The ring nut attached to the radiator thermostat can be used universally and without accessories for all valves with a thread size of M30 x 1.5 from the most popular manufacturers such as:

- Danfoss • Heimeier • MNG • Junkers • Landis&Gyr (Duodyr) • Honeywell-Braukmann
- Oventrop • Schlösser • Comap • Valf Sanayii • Mertik Maxitrol • Watts
- Wingenroth (Wiroflex) • Idmar54 • R.B.M • Tiemme • Jaga • Siemens

By means of the adapters in the delivery, the device can be installed on radiator valves of type Danfoss RA, Danfoss RAV and Danfoss RAVL, Giacomini, Caleffi.

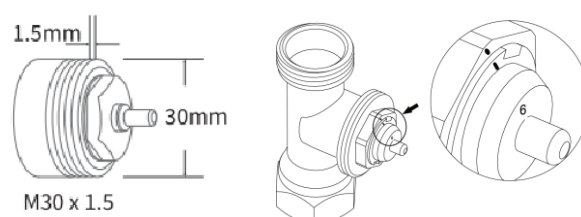
3.1 Unscrew your existing radiator thermostat

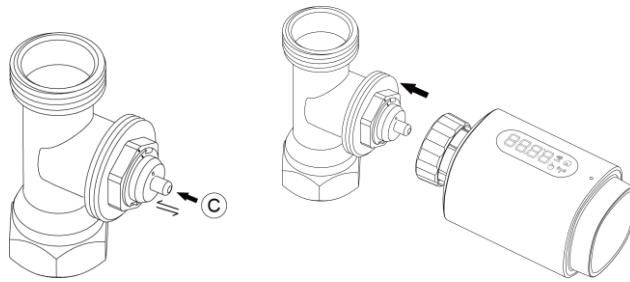
No worries, water will not leak during this process.

3.2 M30 x 1.5

Screw the TS10 smart radiator thermostat directly onto the radiator if the connector type is M30 x 1.5 (picture shown as below). You can adjust the angle to make the led facing the viewer properly.

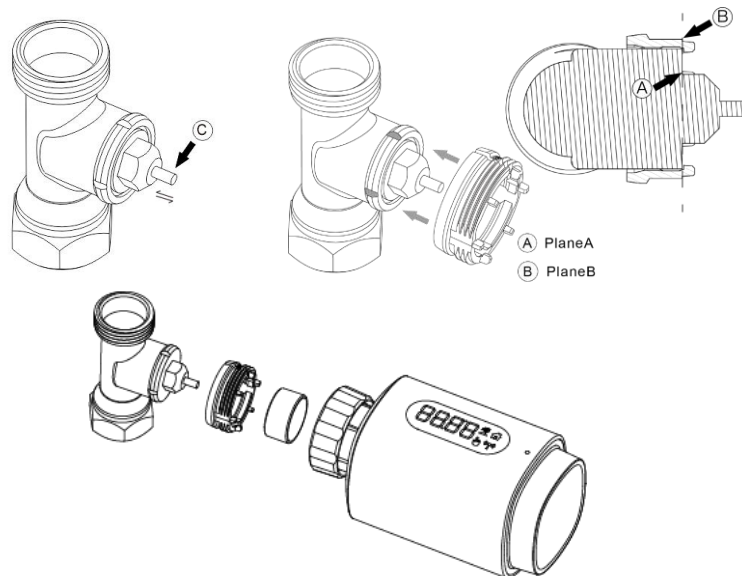
- Rotate the thermostat dial to the maximum value, the max value may be 6 or 8.
- Check the © is active.
- Install the device.





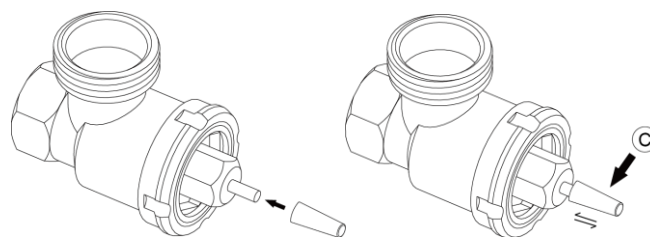
3.2.1 Danfoss RAVL Valve

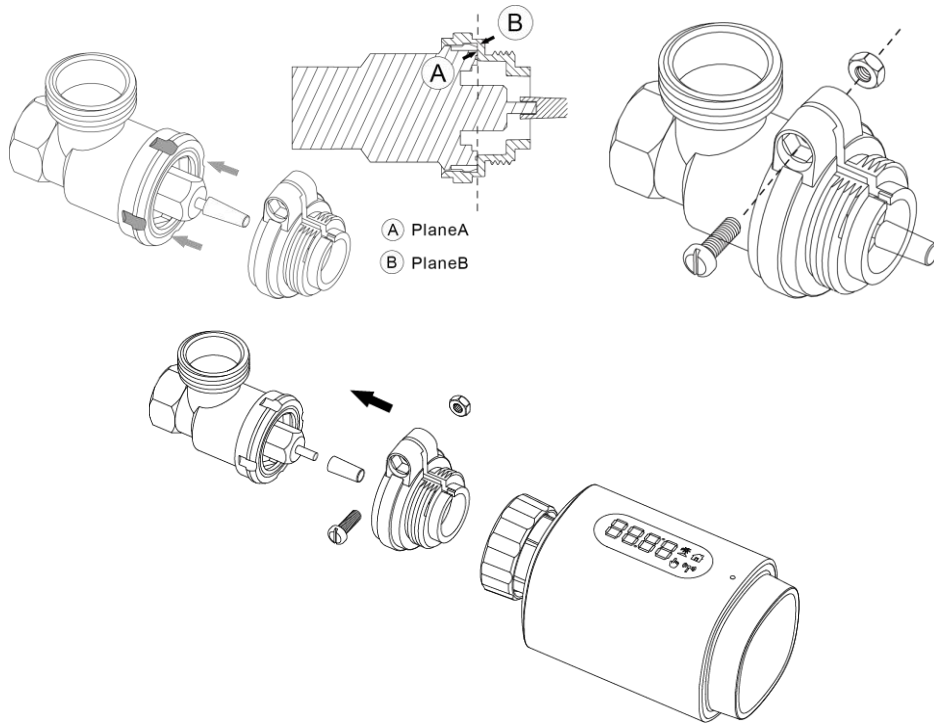
- Check the © is active.
- The valve body has elongated notches around its circumference, which ensure that the adapter is properly seated when it snaps on: snap on the adapter completely, so that the pins inside the adapter are lined up with the notches on the valve.
- Install the adapter, Plane A is aligned with Plane B.
- Install the round tube into the device.
- Install the device.



3.2.2 Danfoss RAV Valve

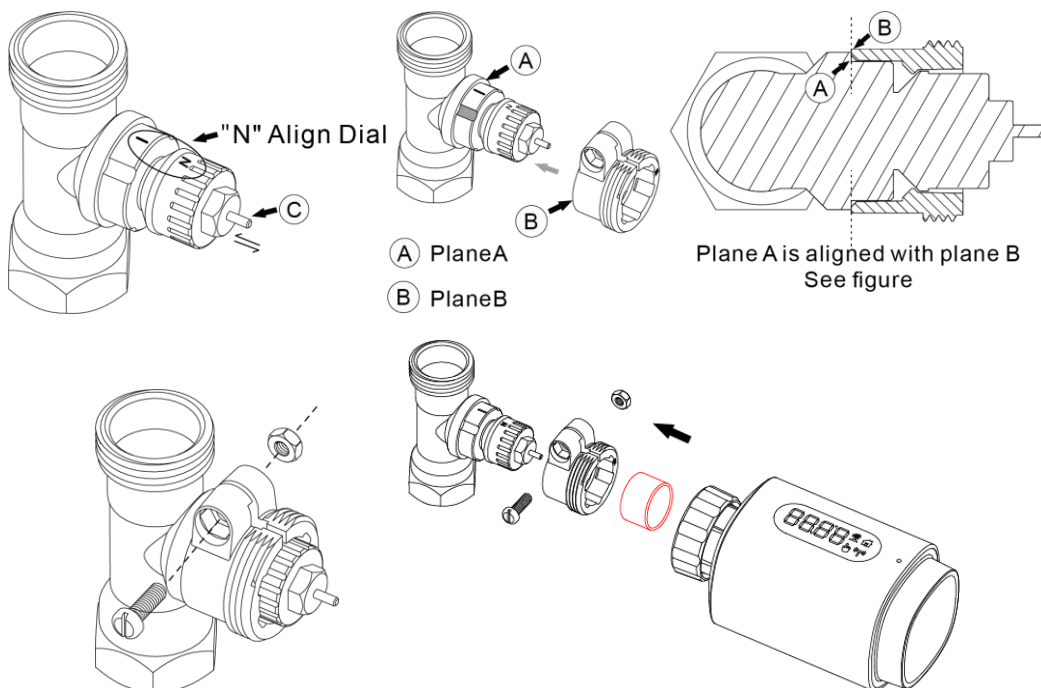
- Check the © is active
- The valve body has elongated notches around its circumference, which ensure that the adapter is properly seated when it snaps on: snap on the adapter completely, so that the pins inside the adapter are lined up with the notches on the valve.
- Install the adapter, Plane A is aligned with Plane B.
- Union nut.
- Install the device.





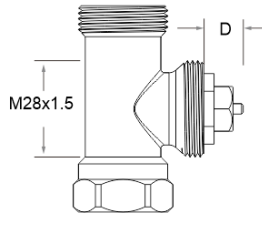
3.2.3 Danfoss RA Valve




- Rotate the thermostat dial to the maximum value, "N" Align Dial.
- Check the © is active.
- The valve body has elongated notches around their circumference, which ensure that the adapter is properly seated when it snaps on: snap on the adapter completely, so that the pins inside the adapter are lined up with the notches on the valve.
- Install the adapter, Plane A is aligned with Plane B.
- Union nut.
- Install the round tube into the device.
- Install the device.







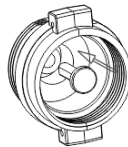
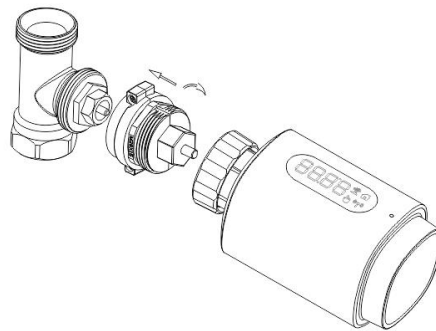
3.3 M28 x 1.5

1. Select the length of the ejector rod according to the following brands or valve sizes, and the size of ejector rod is 15 / 17 / 19 / 24mm.
2. To install the ejector rod with the correct size into the hole.
3. To install the adapter onto M28 *1.5 valve;



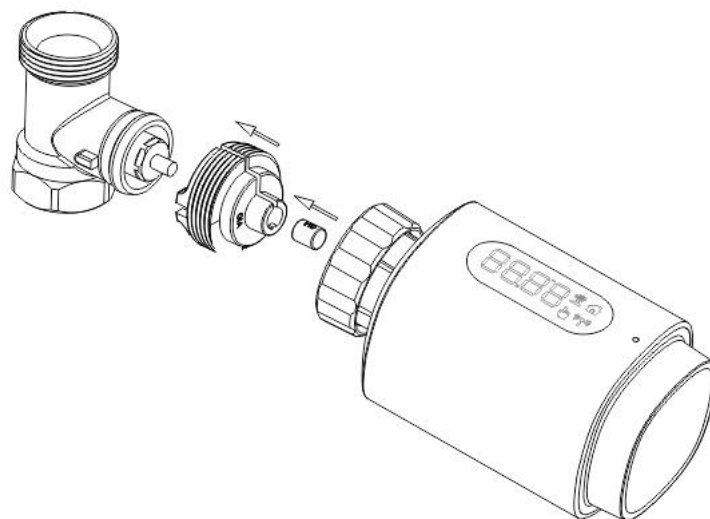
Manufacturer	Ejector rod
Herz, MMA, Remag	 17mm
TA, Comap, Markaryds	 19mm
SAM, Slovarm	 24mm
Others (See list)	

D	Ejector rod
11.5-13mm	 15mm
9.0-11.5mm	 17mm
7.0-9.0mm	 19mm
1.0-3.5mm	 24mm

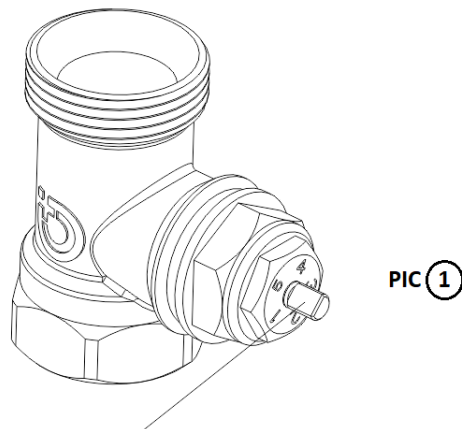
3.3.1 Giacomini

1. To install the adapter onto the Giacomini valve in the correct direction;
2. To install the GIA ejector rod into the hole;

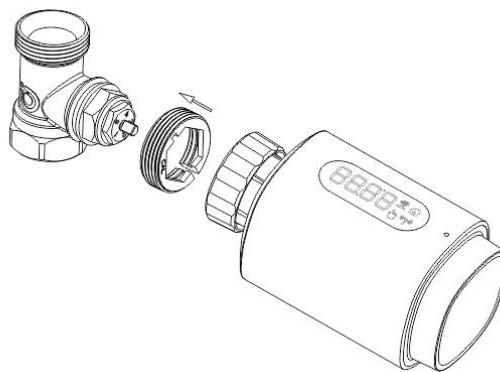


3.3.2 Caleffi

1. Open the valve flow to the maximum, as shown in pic 1;
2. To install the adapter onto the Caleffi valve in the correct direction ;



Rotate the thermostat dial to the maximum value

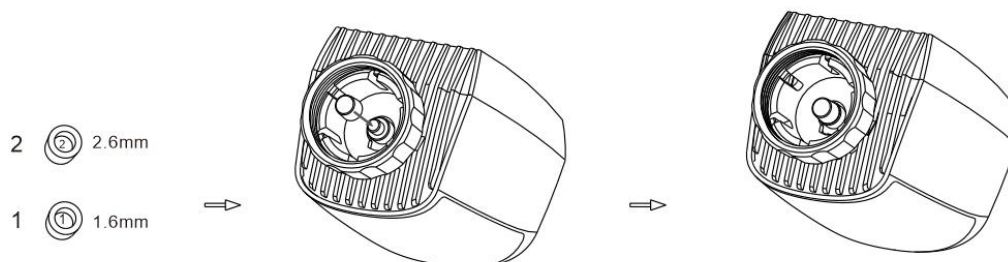


3.4 Use the Ejector rod

Due to the dimensional and assembly tolerance of the metal valve, it may result in the following situations:

1. When the device is failure, F2 is displayed
2. The metal valve cannot be fully closed and radiator still heating

Handling method: Please use the ejector rod 1.6mm (1) first, if the above two situations still exist, try to use the ejector rod 2.6mm (2) instead.



4. Interface display

When you see the LED is showing information as below, the radiator thermostat is ready for configuration. If not, please uninstall and re-install the batteries and redo step 4.



5. Software Installation

5.1 Application download

- Download the iGET HOME App for your mobile device from App Store or Google Play.



Google Play



App Store

- Search for iGET HOME.
- Download the iGET HOME app.

5.2 Add the wireless gateway

- Open iGET HOME, use your phone number or email address to register and login. Tap + on the top right, choose Gateway Control->Wireless Gateway (ZigBee) and simply follow the inbuilt setup wizard for device installation and configuration.
- After the ZigBee smart gateway hub is added successfully, you can add the sub-device on the gateway hub interface.
- Long press Pair button on the radiator thermostat for 5 seconds until the ZigBee signal icon flashed, which means the device has entered the pairing mode.
- The blue LED indicator of gateway hub flashes during pairing mode.
- When the radiator thermostat is successfully added, the blue LED indicator will extinguish within 1 second, the device ZigBee signal is always on.

6. Product features

6.1 Auto Mode

In automatic mode, the temperature is controlled in accordance with the set heating profile. Manual changes are activated until the next point at which the profile changes. Afterwards, the defined heating profile will be activated again. To activate the automatic mode, please proceed as follows:

Press the pair button to select  icon.

Default temperature: 17°C and 21°C.

Temperature range: 5-30 °C, step: 0.5 °C.

App operation: Click the auto mode icon in the App control panel.

6.2 Manual Mode

In manual mode, the temperature is controlled in accordance with the current temperature set via knob button. The temperature remains activated until the next manual change. To activate the manual mode, please proceed as follows:

Press the pair button to select  icon.


Default temperature: 20°C.

Temperature range: 5-30°C, step: 0.5 °C.

App operation: Click the manual mode icon in the App control panel.


6.3 Holiday Mode

When you go out or go to a party, you will use the holiday mode. The holiday mode will automatically start at the set time starting point and run the holiday temperature.

When the holiday mode is not activated, and you want to view the holiday mode settings, please press the pair button to view, the holiday mode icon () will flash for 5 seconds and then it will automatically return to the auto mode. If you want to end your holiday mode earlier, press the pair button to cancel.

App operation: Click the Mode icon in the App control panel, and switch to any other mode to cancel holiday mode.

6.4 Open Window Detection

The device starts window opening mode when it detects a sudden temperature drop (5°C in 5 minutes as default). This is usually caused by an opened window or door and the open window icon will display () on the device. The device will operate according to the preset window. Press the pair button to cancel.

App operation: Click the open window icon in APP to cancel the window opening function.

- The open window detection only operates in automatic mode and manual mode.



6.5 Offset Temperature

As the temperature is measured on the radiator thermostat, the temperature distribution can vary throughout a room. To adjust this, a temperature offset of ± 5 °C can be set. If a nominal temperature of e.g. 20 °C is set but the room presents with only 18 °C, an offset of -2°C needs to be set. In app settings, the offset temperature is 0 degrees by default. To adjust the offset temperature, please proceed as follows:

App operation: Click the offset icon (\pm) in settings.

6.6 Eco and Comfortable Temperature

The comfort and Eco temperature icon makes switching between comfort and Eco temperature simple and user friendly. These have been set at the factory at 21°C (comfort temperature) and 17°C (Eco temperature).

App operation: Click the Comfortable () / Eco () temperature icon in the App control panel to select the corresponding temperature mode.

- Even in auto mode, the temperature can be changed at any time using the button. It will then remain the same until the next point at which the program changes.

6.7 Child Lock

Operation of the device can be locked to avoid settings being changed unintended (e.g. through involuntary touch). To activate/deactivate the child lock, please proceed as follows:

App operation: Click the child lock icon in the App settings screen. The device display “LOC”

6.8 Anti-Freezing Mode

You can use this function when you go out in winter or when you are not at home for a long time. When this function is activated, the temperature in the house is kept at 8 °C, the device display "AF". Press the pair button to cancel.

App operation: Click the anti-freezing icon (❄️) to turn on/off the function in the App settings screen.

Note: Once this function is activated, other functions are not available unless the function is deactivated.

6.9 Heating Stop (Power Saving) Mode

Battery life can be prolonged by switching the heating off. To achieve this, the valve is closed fully. To activate the heating stop, the device display “HS”, press the pair button to cancel. Please proceed as follows:

App operation: Click the Heating stop icon (🛑) to turn on/off the function in the App settings screen.

Note: Once the function is activated, other functions are not available unless the function is deactivated.

6.10 Anti-Calcification (Descaling) Protection

The equipment will automatically run for a period of time every week to prevent calcification of the valve.

6.11 Boost

Sometimes people go home earlier than usual, and the rapid heating function will make you feel the warmth of the room faster. When activated, the valve will be fully opened for 5 minutes. The heating of a room takes longer than 5 minutes, but the heat given off by the radiator can be felt immediately. The boost function is activated. The remaining time for the function will be counted down in seconds ('299' to '000').

After these 5 minutes have elapsed, the actuator changes to the mode which was previously active (auto/manual) with the previously set temperature. End this function ahead of time, press the pair button to cancel.

App operation: Select the mode of APP interface to activate the boost. Click the Boost icon (🔥) in the App control panel to cancel the boost function.

7. Setting

Click the settings icon (⚙️) in the App control panel.

7.1 Date

When the device is successfully paired with the phone, the device time is synchronized with the network time.

7.2 Week Programming Stage

In this menu item, you can create a heating profile with heating and cooling phases according to your personal needs. You can set up to ten stages of temperature every day. The factory default is five stages.

Click the week programming stage icon () in the App control panel.

Select single days of the week, all weekdays, the weekend or the entire week for your heating profile.

Click time to select the end time of each period, and click temperature to select the required temperature.

Time range: 00:00-24:00, step: 10 minutes

Temperature range: 5-30 °C, step: 0.5 °C.


7.3 Open Window

Click the open window icon () in the App settings screen.

Select the desired temperature

Temperature range: 5-30°C, step: 0.5°C.


7.4 Comfortable Temperature

Click the comfortable temperature icon () in the App settings screen.

Select the desired temperature

Temperature range: 5-30 °C, step: 0.5 °C.

7.5 ECO Temperature

Click the ECO temperature icon () in the App settings screen.

Select the desired temperature

Temperature range: 5-30 °C, step: 0.5 °C.

7.6 Offset

Click the Offset temperature icon () in the App settings screen.

Select the desired temperature

Temperature range: -5-5 °C, step: 0.1 °C.

7.7 Holiday Setting

Click the holiday mode icon () in the App settings screen.

Select the end date and the start date

Select the desired temperature

Temperature range: 5-30 °C, step: 0.5 °C.

8. Voice Control

8.1 Amazon Alexa

Amazon Alexa is an intelligent personal assistant developed by Amazon, and is capable of voice interaction. Smart radiator thermostat works with Alexa to allow you to regulate the temperature of each room in your system by using a wake-word and an instruction. The wake-work is “Alexa” followed by an instruction such as “increase temperature.” Currently, Amazon has made interaction and communication with Alexa only available in English.

Alexa requires explicit instructions. You must inform Alexa of the room to which you wish to address followed by an instruction, such as “increase temperature.” If no specific room is mentioned, Alexa will ask you which room you want to address, and then will increase the setpoint temperature by 1°C only based on the room reply from you. If you want the setpoint temperature to increase by 4°C in the living room, you must explicitly state to Alexa to “increase the temperature in the living room by 4°C.”

Note: If Alexa is asked to increase the temperature by 2°C, then Alexa will add 2°C to your set-point. If the ambient temperature is already >2°C above the current set-point then the actual temperature will not change and smart radiator thermostat will not turn the heating ON.

Example: If the current set-point is 16°C, the current room temperature is 19°C and you ask Alexa to increase the temperature by 2°C - the current set-point will change to 18°C but the heating will not start because the room temperature is already higher than 18°C.

Common commands for Alexa

Listed below are common commands used with Alexa:

- Discover Devices: “Alexa, discover devices.”
- Reduce Temperature: “Alexa, decrease the DEVICE NAME by 4 degrees” / “Alexa, make it cooler in here.”
- Increase Temperature: “Alexa, increase the DEVICE NAME by 3 degrees” / “Alexa, make it warmer in here.”
- Set Temperature: “Alexa, set the DEVICE NAME to 20 degrees.”
- Get Temperature: “Alexa, what is the DEVICE NAME temperature?”
- Get Set Point: “Alexa, what is the upstairs set to?”

Note: Alexa considers the smart thermostat and room names as the devices.

8.2 Google Home

Google Home is a brand of smart speakers that work similarly to Amazon Echo. Google’s intelligent PA, Google Assistant, is equivalent to Amazon’s Alexa. Google Home is also available on all Android devices and does not require the use of the ‘Smart Speakers’.

The user can speak a profusion of commands to request information, or ask the Google Assistant to perform an action such as play music, video playback, report news, access home automation. All of this can all be controlled from a Google Home device.

Common commands for Google Home

Listed below are common commands used with Google Home:

- Discover Devices: “Hey Google, discover devices.”
- Reduce Temperature: “Hey Google, decrease the DEVICE NAME by 4 degrees” / “Hey Google, make it cooler in here.”
- Increase Temperature: “Hey Google, increase the DEVICE NAME by 3 degrees” / “Hey Google, make it warmer in here.”
- Set Temperature: “Hey Google, set the DEVICE NAME to 20 degrees.”
- Get Temperature: “Hey Google, what is the DEVICE NAME temperature?”

- Get Set Point: “Hey Google, what is the upstairs set to?”

Note: Google home considers the smart thermostat and room names as the devices.

9. Set an automation scenarios linkage

If you have a door sensor installed in your home, then you can realize an automation scenarios linkage between TRV and door sensor.

Under “Automation” in the “Smart” page, click “+” on the upper right corner, you will see a page called

- Create Smart that will guide you through the setting.
- Here, we take When device status changes setting.
- After you click When device status changes, you will see all the devices you added to the Tuya Smart app.
- Select Smart Door Sensor->Select Function->Smart Door Sensor->ON/OFF->Set up Task->Run the device->TRV-> Open Window Detection->ON/OFF->Save->Next->Save.
- A prompt box “Automation created.Start using it?” will pop up, select “Yes”, you can see all the automation scenarios you’ve created.

When the door/window sensor is opened, the iGET HOME app interface will pop up a message that the door/window sensor is turned on, and an (🔒) icon will appear on the TRV device interface.

When the door/window sensor is closed, the iGET HOME app interface will pop up a message that the door/window sensor is turned off, and an (🔓) icon will disappear on the TRV device interface.

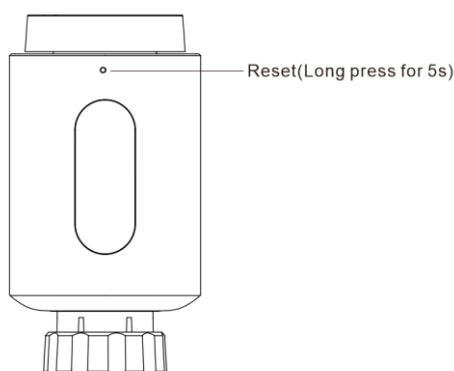
10. Low Battery

When the battery power is less than 12%, the low power prompt icon (🔋) will be displayed. Please replace the battery as soon as possible, When the the device only displays (🔋) the device is not available.

11. Reset

Press the reset buttons for 5 seconds, the device will display “FAC”. The device run reset.

After the device runs reset, the data will not be saved, the device needs to be repaired.



12. Troubleshooting and Maintenance

Error code on display	Problem	Solution
Low Battery 🔋	Battery output too low	Replace batteries
F1	Valve drive sluggish	Check installation, check the heating valve
F2	Actuating range too wide	Please check the fastening of the radiator thermostat
F3	Adjustment range too small	Please check whether the valve pin is stuck

13. Technical Data

Batteries: 2x 1.5 V LR6/mignon/AA, Temperature range: 5-30°C, Display: LED, Maximum radiated power: 10dBm, Dimensions (W x H x D): 54*54*102mm, Weight: 190 g (incl. batteries), Working temperature: -10°C - -40°C, Working environment: Indoor, Frequency: 2.4GHz, Degree of protection: IP20, Battery life: 1.5 years

14. Package Contents

1x Zigbee Radiator Thermostat

2x 1.5V mignon/LR6/AA batteries

1x Adapters for Danfoss (RA, RAV and RAVL), M28x1.5mm, Caleffi, Giacomini, Ejector rod

1x Screw for adapter

1x User Manual

15. Warranty rules

- Do not place any heavy or sharp objects on the device.
- Do not expose the device to direct sunlight or heat, and both must not be covered.
- Do not expose the device to an environment with a temperature higher or lower than the recommended temperature.
- Do not expose the device to dusty and humid environments over 85% including rain and liquids.
- Do not use any corrosive cleaning agents to clean the device.
- Do not expose the device to strong magnetic or electronic interference.
- Do not use power adapters other than those supplied with the device. The supplied power supply must only be connected to a mains supply whose voltage corresponds to the information on the type plate of the power supply.
- Do not leave the power adapter in areas with lower burning temperatures or on parts of the human body as the adapter will become hot and may cause injury.
- Do not use the device while eating or drinking.
- Keep the device out of the reach of children.
- The user is not authorized to disassemble the device or replace any part of it. There is a risk of electric shock when opening or removing covers that are not originally accessible. Improper assembly and reconnection of the device also exposes you to the risk of electric shock. In the event that service intervention is required, contact only qualified service technicians.
- If the device has been in an environment with a temperature below -10°C for a period of time, leave the device unplugged in a room with a temperature of -10°C to +60°C for more than one hour. Only then can you switch it on.
- Please contact your dealer for warranty repairs. For technical problems and questions, contact your dealer.

For household use: The given symbol (crossed-out wheeled bin) on the product or at accompanying documents means that used electrical and electronic products should not be disposed of with household waste. To ensure proper disposal of the product, hand it over to a designated collection point, where it will be accepted free of charge. The correct disposal of this product will help to save valuable natural resources and prevent any potential negative impacts on the environment and human health, which could otherwise be caused by inappropriate disposal of wastes. For more details, please, contact your local authorities or the



nearest collection point. The improper disposal of this waste can be penalized in accordance with national regulations. Information for users to disposal of electrical and electronic devices (corporate and business use): For proper disposal of electrical and electronic devices, ask for details from your dealer or distributor. Information for users to disposal of electrical and electronic devices in other countries outside.

EU: The above mentioned symbol (crossed-out wheeled bin) is valid only in the countries of EU. For proper disposal of electrical and electronic devices, ask for details from your authorities or dealer. All is expressed by the symbol of crossed-out wheeled bin on product, packaging or in printed materials. Set up the claim for warranty repair of device at your dealer. If you have technical questions or problems, contact your dealer. Follow the rules for working with electrical equipment. The user may not dismantle the device or replace any part of this. Opening or removing the covers poses the risk of electric shock. In case of incorrect reassembly and subsequent connection you are also exposed to electric shock.

Declaration of Conformity:

Company INTELEK.CZ s.r.o. hereby declares that all Thermostatic Radiator Valve TS10 devices are in compliance with essential requirements and other relevant provisions of Directive 2014/53/EU. The full text of the EU Declaration of Conformity is available on this website www.iget.eu.

The warranty period of the product is 24 months, unless stated otherwise.



This device can be used in the following countries bellow.

Italy - The conditions for using the WiFi network are described in the so-called Electronic Communications Code

Norway - The 2.4 GHz limitation applies only to the area 20 km from colony of Ny-Ålesund.

RoHS: The components used in the device meet the requirements on the restriction of hazardous substances in electrical and electronic devices in accordance with Directive 2011/65/EU. The RoHS declaration can be downloaded from www.iget.eu.

Operation of radio equipment:

CZ: This radio equipment can be operated in the Czech Republic under the General Authorizations VO-R / 1 / 05.2017-2 and VO-R / 12 / 09.2010-12.

SK: This radio equipment can be operated under General Authorizations VPR - 07/2014, VPR - 02/2017 and VPR - 35/2012.

Producer / Exclusive importer of iGET products to EU: INTELEK.CZ s.r.o., Olivova 2096/4, Nové Město – Praha 1, CZ web: <http://www.iget.eu>

SUPPORT: <http://www.iget.eu/helpdesk>

Copyright© 2023 INTELEK.CZ s.r.o. All rights reserved.

AT	BE	CY	CZ	DK	EE	FI	MT	NL	PL	PT	SK
SI	ES	DE	GR	HU	IE	IT	LV	LT	GB	IS	LI
NO	CH	BG	HR	RU	RO	FR	SE	LU	TR		